

MICROCEPTOR SERIES

Conifer introduces a **FILTER FIRST** approach that will provide brickwall protection for downconverters. As more and more new wireless services such as PCS, WCS, Radar and LAN emerge, the **FILTER FIRST** design is not just a luxury but becomes a requirement. As these and other services are added, the **PRE-LNA** bandpass filter protects the downconverter from out-of-band interfering carriers and overload. The better the **PRE-LNA rejection**, the less chance there is of overload or interference from out-of-band frequencies. Conifer's new filter is key to protecting a base of wireless cable MMDS installations well into the future.

FEATURES

- >90 dB **PRE-LNA** PCS Rejection
- >60 dB **PRE-LNA** WCS Rejection
- Superior RF & IF Filtering
- Low Insertion Loss Filter
- Quick Mount UBracket
- Lightweight
- Compact Design
- Ultra Low Phase Noise
- Excellent Side Lobe and Cross Pole Performance
- Dualband Performance Option
- Low Windloading
- 5 Year Warranty

BENEFITS

- Analog and Digital Systems Protected Against PCS
- Guaranteed protection against WCS
- Rejects Radar and Microwave Frequencies
- Optimizes C/N Ratio
- Easy-To-Install
- Saves on Shipping Costs and Warehouse Space
- Low Profile for Zoning Issues
- Full 256 QAM Digital Compatibility
- Superior to Parabolics
- Optimized for MMDS/ITFS and/or MDS
- Minimal Hardware Required per Installation
- Guaranteed Reliability

MICROCEPTOR * ANTENNAS

SPECIFICATIONS	MODEL DL SERIES	MODEL QD SERIES
Gain	13 dBi	16 dBi
3 dB Beam Width (Typical)	38°	28°
Front to Back Ratio (Typical)	>40 dB	>40 dB
Cross Pole	>25 dB	>25 dB
1st Side Lobe	>16 dB	>18 dB
2nd Side Lobe	>25 dB	>27 dB
Size		
Inches	7 1/4 x 10 3/4	10 1/4 x 11 1/8
Centimeters	18.42 x 27.31	26.04 x 28.40
Weight		
Pounds with/without cover	2.0 / 2.3	2.4 / 3.0
Kilograms with/without cover	.91 / 1.04	1.09 / 1.36

OPTIONAL UNIVERSAL MICRO-MOUNT™*

Model UM-1200 Micro-Mount

The Universal Micro-Mount permits installers to mount the Microceptor DL and QD model antennas just about anywhere there is line-of-sight. Mount it to a wall, a vent, tree, roof, chimney and even most rain gutters. The low profile Micro-Mount will make the antenna installation a snap! The Micro-Mount features all stainless steel and aluminum construction. Also available is the EX-1000 extension tube that adds another 10 of pipe to the end of the Microceptor Mount.

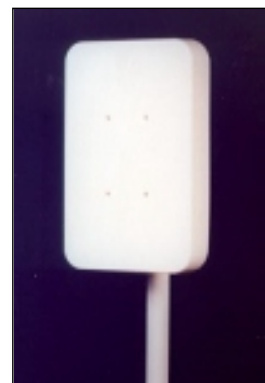


OPTIONAL MICROCEPTOR COVER

Models DC-1000 & QC-1000

Hide It! Disguise It!

Give the antenna a whole new appearance. Covers are available for the DL-54XX and QD-54XX models.



*Patent Pending

MICROCEPTOR * SERIES

SPECIFICATIONS**

MODELS
QD or DL-5445/5446/5447
31 Channels

MODELS
QD or DL-5435/5436/5437
33 Channels

Input Frequency***	2500-2686 MHz	2150-2162 MHz 2500-2686 MHz
Downconverter Gain 5445 / 5435 5446 / 5436 5447 / 5437	36dB ±2 dB 32dB ±2 dB 20dB ±2 dB	36 dB ±2 dB 32 dB ±2 dB 20 dB ±2 dB
Noise Figure MDS MMDS	3.0 dB	4.0 dB 3.0 dB
L.O. Specifications Set Point Accuracy Frequency Stability (-40° C to 60° C) Phase Noise @ 100 Hz @ 1 KHz @ 10 KHz @ 100 KHz @ 1 MHz	2278.000 MHz<±10 KHz ±30 KHz >65 dBc/Hz >85 dBc/Hz >93 dBc/Hz >107 dBc/Hz >120 dBc/Hz	2278.000 MHz<±10 KHz ±30 KHz >65 dBc/Hz >85 dBc/Hz >93 dBc/Hz >107 dBc/Hz >120 dBc/Hz
Response Specifications Output Frequency*** MDS MMDS/ITFS	222 - 408 MHz	116 - 128 MHz 222 - 408 MHz
Flatness MDS MMDS/ITFS	+2 dB	±0.5 dB ±2 dB
Group Delay Distortion per 6 MHz Ch.	<± 10 ns	<± 10 ns
PCS Rejection 1930-1990 MHz PRE-LNA WCS Rejection 2305-2360 MHz PRE-LNA RF/IF Combined	>100 dB >60 dB >100 dB	>90 dB >60 dB >100 dB
IF Rejection Radar Rejection - @ Output @ 427 MHz (2710 MHz Input) PRE-LNA RF/IF Combined @ 457 MHz (2735 MHz Input) PRE-LNA RF/IF Combined	>80 dB >10 dB >30 dB >30 dB >45 dB	>80 dB >10 dB >30 dB >30 dB >45 dB
Microwave Oven Rejection - @ Output @ 174 MHz (2452 MHz Input) PRE-LNA RF/IF Combined @ 186 MHz (2464 MHz Input) PRE-LNA RF/IF Combined	>25 dB >50 dB >20 dB >45 dB	>25 dB >50 dB >20 dB >45 dB
Output Impedance Output Connector Power Supply Voltage Current	75 Ohms F Female +15 to 24 VDC 220 mA	75 Ohms F Female +15 to 24 VDC 250 mA

*Patents Pending

**Specifications subject to change without notice.

***Consult factory for different input/output frequency conversion options.

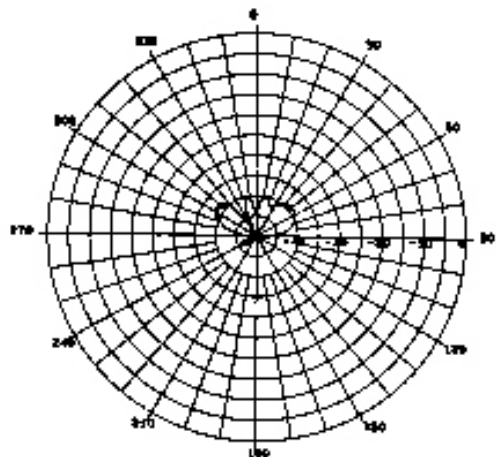
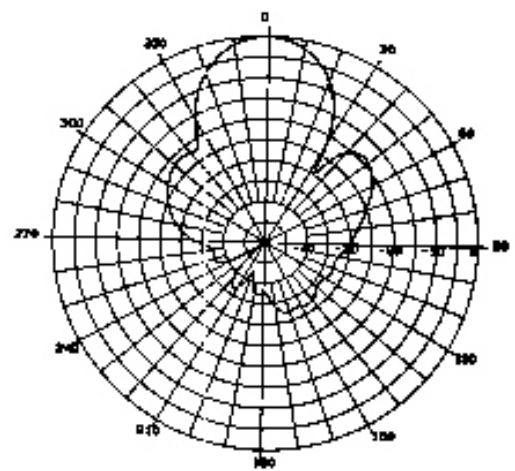
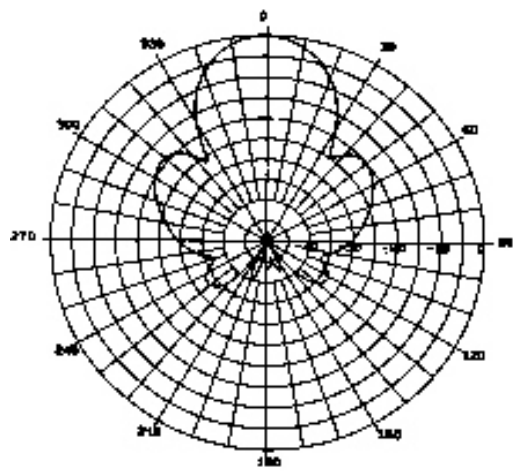
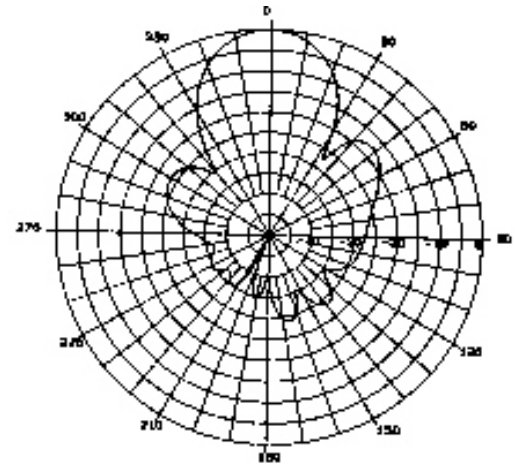
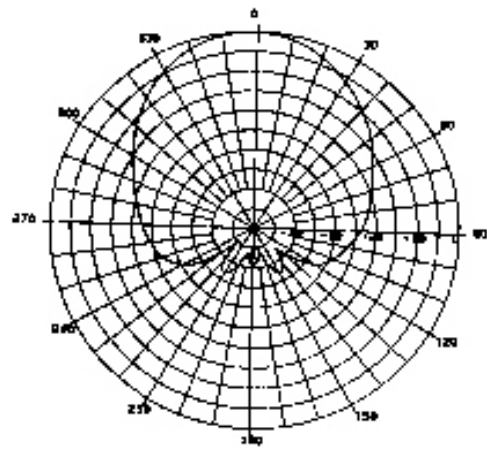
潤泰實業有限公司

台中市太原北路160號

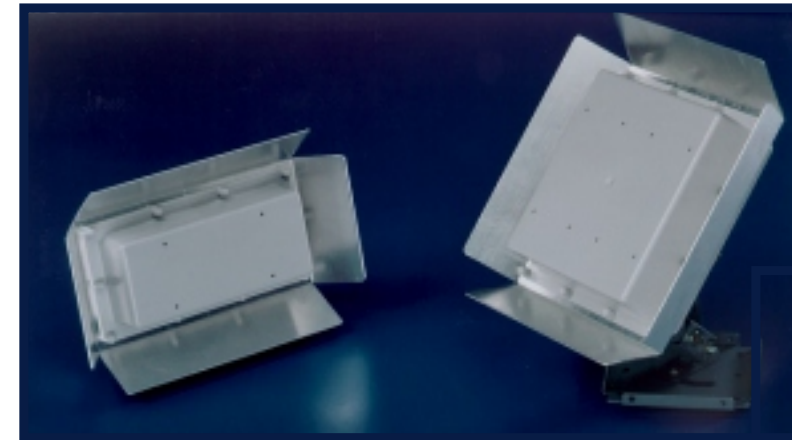
Tel:04-2955093

Fax:04-2963189

ONIFER 7/99



Typical QD Series Cross Pole



Certified Reliability
 Brickwall Filtering
 Smaller & Lightweight
 Non-Ferrous Materials
 Brand Recognition
 5 Year Warranty

Field Proven in Major MMDS Digital Systems
 New Millennium Guard Against Unwanted Signals
 Reduced Shipping Costs
 No Rust!
 Optional Cosmetic Cover With System Logo
 Dependable Customer Support



潤泰實業有限公司
 台中市太原北路 160 號
 Tel: 04-2955093
 Fax: 04-2963189